

316 - Ring Binder Chrome Plated

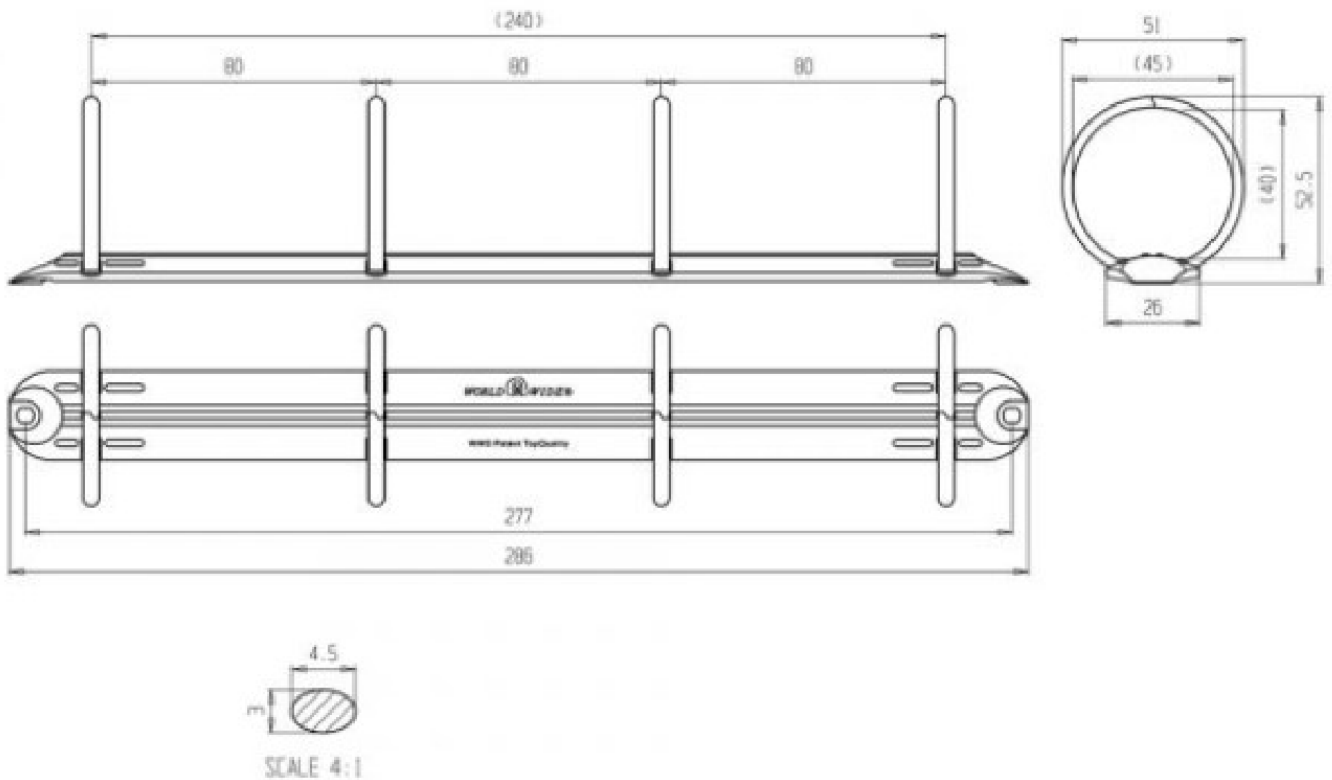
Document Number: HSE 735
Date Of Issue: 12/06/23
Revision Number: 1
Date of Revision: 12/06/23



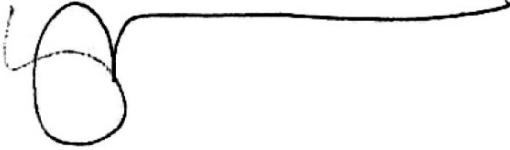
Warning This product may contain nickel, a carcinogenic material.

Conflict minerals There is no tantalum, tin, tungsten or gold in our ring mechanism series. These products contain no conflict materials or processing.

REACH Regulation EG Nr. 1907/2006 The products do not contain and materials/chemicals or these items in the quantity necessary to fall under the Reach or PoHS criteria.



No warranty is given or implied with respect to this information or patent infringement. Detectamet Ltd do not accept liability for loss or damage arising from the use of this information. Results are based on a test sample, our general experience and information from our suppliers. Data and results must be confirmed by the buyer by testing for its intended conditions of use.



Helen Morrison
Group Managing Director